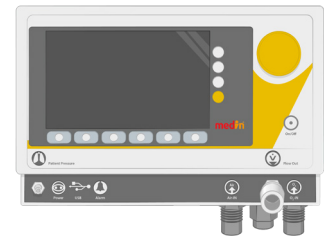
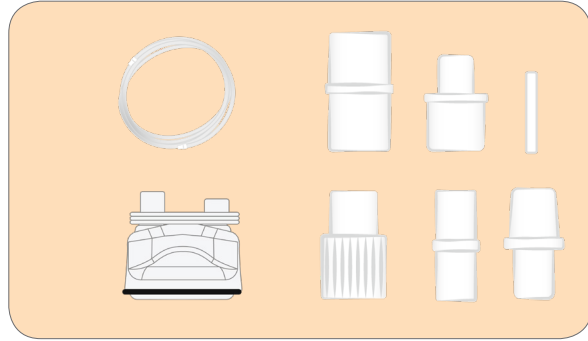
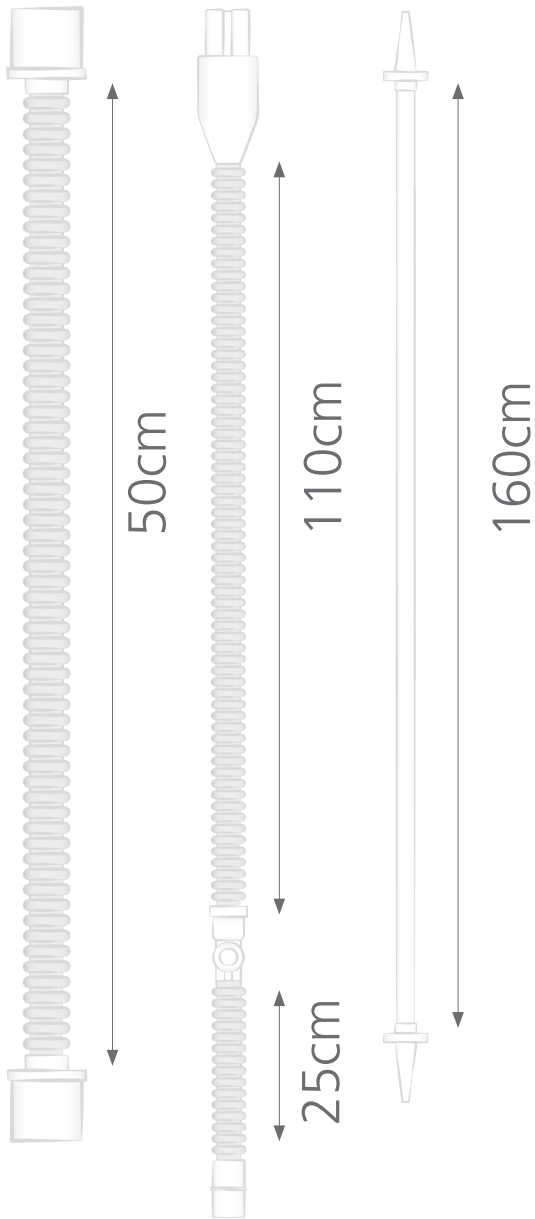


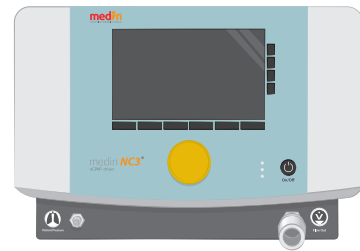
REF 1207MKI

Heated circuit set for Medijet® in combination with humidifier in use for incubator and baby warmer (incl. chamber)

clean - non steril



medinCNO®



medin-NC3®



Medijet®



medin Medical Innovations GmbH

Adam-Geisler-Straße 1

82140 Olching, Germany

+49 (0)8142 448 46 -0

info@medin-medical.com

www.medin-medical.com

CE 0483

REV07
25.07.2019

Specifications are subject to change without notice. Some features are options. Not all features are available in all markets. For all proprietary trademarks and third-party trademarks used by medin Medical Innovations GmbH see www.medin-medical.com/trademarks.
© 2019 medin Medical Innovations GmbH. All rights reserved.

1207MKI