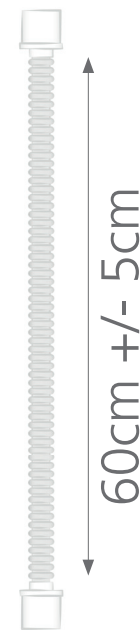
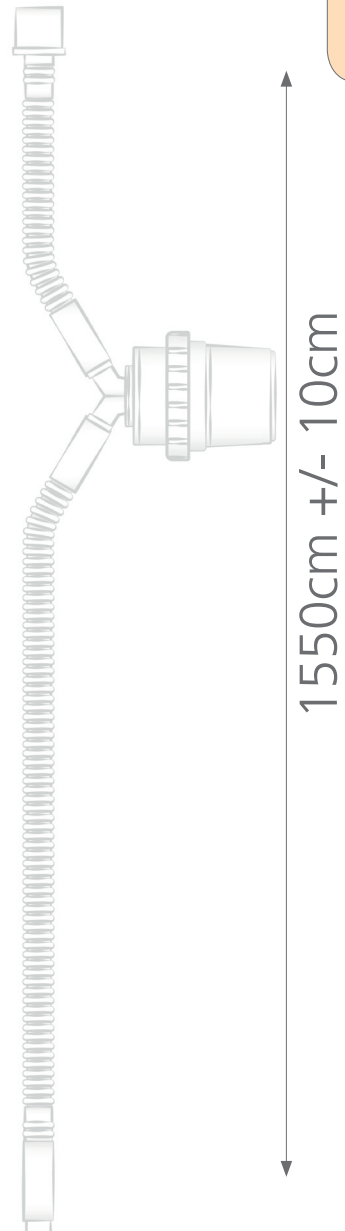
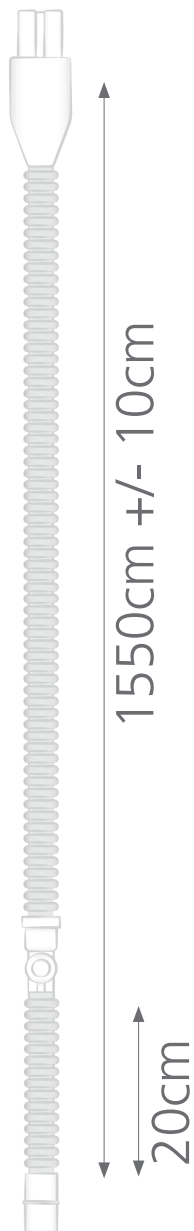
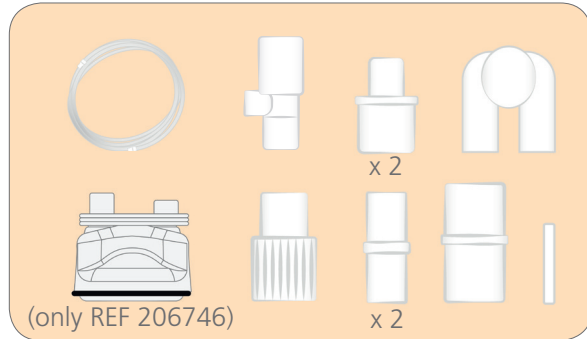


REF 206746, REF 206748

Circuit set for ventilator with inspiration heating wire, water trap and chamber (only REF 206746)

clean - non steril





medin Medical Innovations GmbH

Adam-Geisler-Straße 1

82140 Olching, Germany

☎ +49 (0)8142 448 46 -0

✉ info@medin-medical.com

www.medin-medical.com

CE 0483

REV07
14.08.2019

Specifications are subject to change without notice. Some features are options. Not all features are available in all markets. For all proprietary trademarks and third-party trademarks used by medin Medical Innovations GmbH see www.medin-medical.com/trademarks.
© 2019 medin Medical Innovations GmbH. All rights reserved.

20674X

